

AURORALIGHT

PROJECT: _____

SKU #: _____

TYPE: _____

TERRA COTTA

IGR011102

The Terra Cotta in-grade is a high flux, low wattage LED luminaire. Coupled to a brass body, our Thermally Integrated® LED module provides superior heat dissipation, longer life and higher performance.

- Thermally Integrated® w/ Copper Core Technology®
- Cree LED™ XLAMP® (XP-L)
- IC Rated for Interior, Exterior and Wet Location Use
- Ideal for walkways, pathways and architecture



CONFIGURATOR:

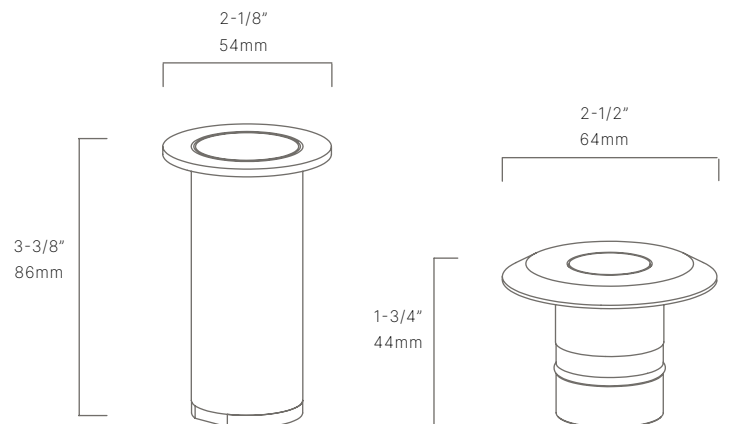
IGR011102	LED	FINISH
	<input type="text"/>	<input type="text"/>
() = Most common configuration	(2701) 2700K 1.25W (3001) 3000K 1.25W	(NAT) Natural Brass (BLP) Bronze Living Patina (BLPX) Extra Dark BLP (NI) Nickel PVD

AVAILABLE FINISHES:



FIXTURE DIMENSIONS	D2-1/2" x H1-3/4"
LIGHT SOURCE	Integrated LED
COLOR TEMPERATURES	2700K, 3000K
WATTAGES	1.25W
CRI (RA)	80 CRI
VOLTAGE	12V
DELIVERED LUMENS	154lm (3000K)
DIMMABLE	Yes, Dim to <10% via Transformer
DRIVER	Yes, 12V Integral Constant Current
TRANSFORMER	12V AC/DC (Supplied by others)
MOUNT	Included CJB112105
ACCESSORIES	Yes, Included Hex Baffle
OPTICS	Yes, Included 15°, 25°, 40° & 60°
FINISH	Included Natural Brass
MATERIAL	Brass & Copper
WIRE LENGTH	24"
LOCATION	Interior & Exterior Wet
CERTIFICATIONS	UL, IP66, IP67, IC, Drive Over

*For complete warranty terms, please visit: www.auroralight.com/warranty/



P. 760.931.2910

O. 2742 Loker Ave. W Carlsbad CA 92010

W. www.auroralight.com

MADE IN USA
WITH DOMESTIC & IMPORTED MATERIALS



AURORALIGHT

PROJECT: _____

SKU #: _____

TYPE: _____

ADD-ONS

MOUNTS

SCE008

Side Conduit Entry

MJB112401

Micro J-Box

*For complete details, please visit auroralight.com/mounts/

MOUNTS



SCE008



MJB112401